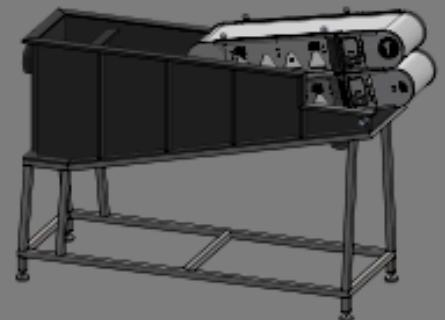
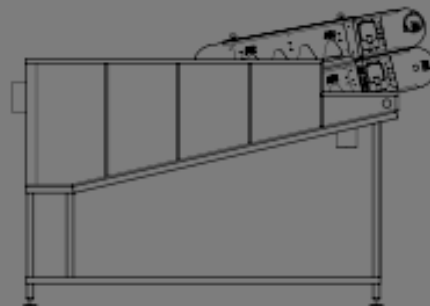


## AL-2 BELT PRESS

*The best way to reduce your sludge volume*

### Benefits:

- Fully automated
- Ultra-compact
- Ultra-low energy consumption
- Up to 30% achievable solids content dependant on fibre content of sludge
- Based on AL-2 modular concept where spares can be shared
- No requirement for additional polymer
- **Why transport water?** Massive savings on sludge transportation costs
- Vacuum drying on both sides
- Self-draining
- Self-cleaning



AL-2 TEKNIK UK Ltd.

[www.al-2.com](http://www.al-2.com)

[pjg@al-2.uk](mailto:pjg@al-2.uk)

+ 44 77 404 404 00